

## 1 Appearance

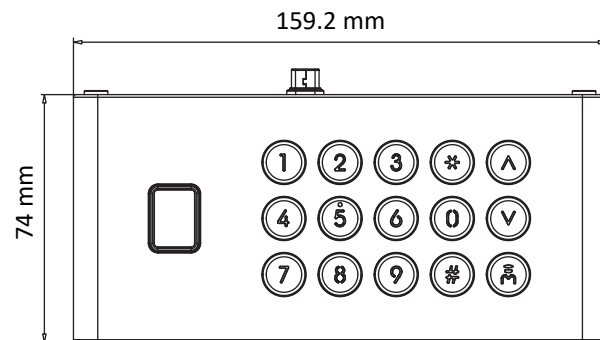


### Sub Module of Door Station

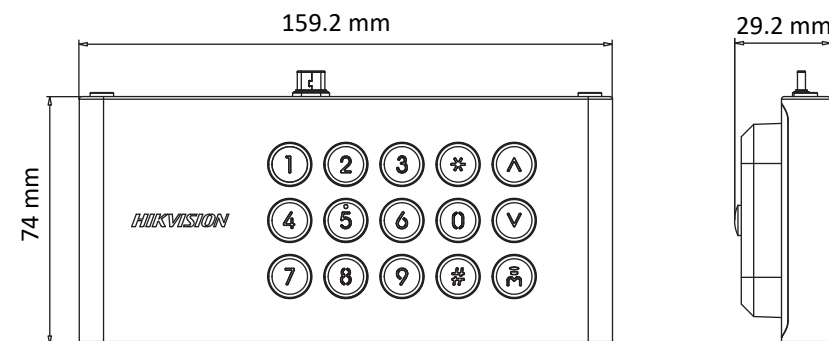
Quick Start Guide

UD27989B

#### Fingerprint Module



#### Keypad Module

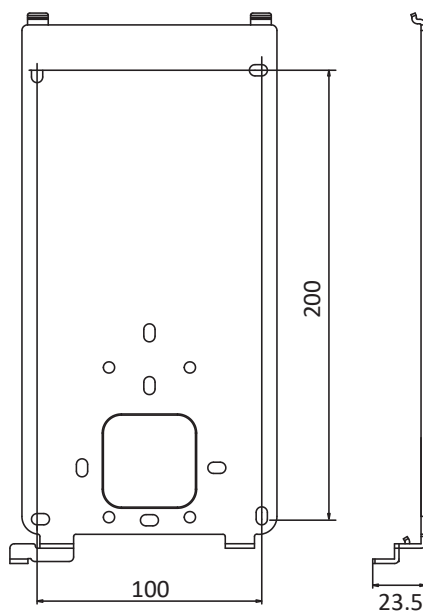


## 2 Installation

The sub modules should be installed to the face recognition door station.  
The installation method of two sub modules are the same. There takes fingerprint module's installation for example.

#### Mounting Plate

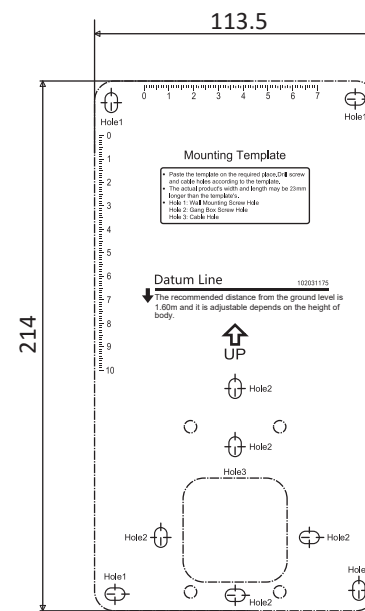
The dimension of the mounting plate is 113.5 mm (W) × 214 mm (H) × 23.5 mm (D).



Unit:mm

#### Mounting Template

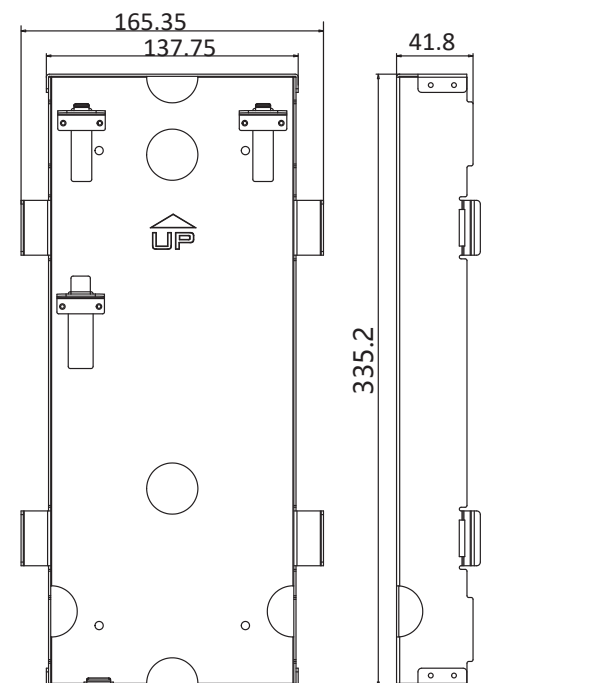
The dimension of the mounting template is 113.5 mm (W) × 214 mm (H).



Unit:mm

#### Gang Box

The dimension of the gang box is 137.75 mm (W) × 335.2 mm (H) × 41.8 mm (D).



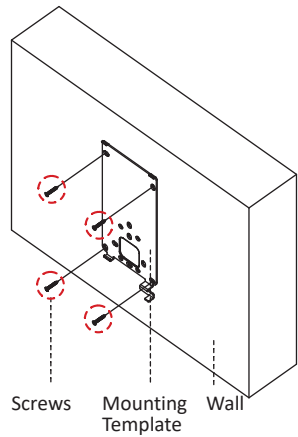
Unit:mm

2022 Hangzhou Hikvision Digital Technology Co., Ltd. All rights reserved.  
About this Manual  
The Manual includes instructions for using and managing the Product. Pictures, charts, images and all other information hereinafter are for description and explanation only. The information contained in the Manual is subject to change, without notice, due to firmware updates or other reasons. Please find the latest version of this Manual at the Hikvision website (<https://www.hikvision.com/>).  
Please use this Manual with the guidance and assistance of professionals trained in supporting the Product.  
Trademarks  
HIKVISION and other Hikvision's trademarks and logos are the properties of Hikvision in various jurisdictions.  
Other trademarks and logos mentioned are the properties of their respective owners.  
Disclaimer  
TO THE MAXIMUM EXTENT PERMITTED BY APPLICABLE LAW, THIS MANUAL AND THE PRODUCT DESCRIBED, WITH ITS HARDWARE, SOFTWARE AND FIRMWARE, ARE PROVIDED "AS IS" AND "WITH ALL FAULTS AND ERRORS". HIKVISION MAKES NO WARRANTIES, EXPRESS OR IMPLIED, INCLUDING WITHOUT LIMITATION, MERCHANTABILITY, SATISFACTORY QUALITY, OR FITNESS FOR A PARTICULAR PURPOSE. THE USE OF THE PRODUCT BY YOU IS AT YOUR OWN RISK. IN NO EVENT WILL HIKVISION BE LIABLE TO YOU FOR ANY SPECIAL, CONSEQUENTIAL, INCIDENTAL, OR INDIRECT DAMAGES, INCLUDING, AMONG OTHERS, DAMAGES FOR LOSS OF BUSINESS PROFITS, BUSINESS INTERRUPTION, OR LOSS OF DATA, CORRUPTION OF SYSTEMS, OR LOSS OF DOCUMENTATION, WHETHER BASED ON BREACH OF CONTRACT, TORT (INCLUDING NEGLIGENCE), PRODUCT LIABILITY, OR OTHERWISE, IN CONNECTION WITH THE USE OF THE PRODUCT, EVEN IF HIKVISION HAS BEEN ADVISED OF THE POSSIBILITY OF SUCH DAMAGES OR LOSS.  
YOU ACKNOWLEDGE THAT THE NATURE OF INTERNET PROVIDES FOR INHERENT SECURITY RISKS, AND HIKVISION SHALL NOT TAKE ANY RESPONSIBILITIES FOR ABNORMAL OPERATION, PRIVACY LEAKAGE OR OTHER DAMAGES RESULTING FROM CYBER-ATTACK, HACKER ATTACK, VIRUS INSPECTION, OR OTHER INTERNET SECURITY RISKS; HOWEVER, HIKVISION WILL PROVIDE TIMELY TECHNICAL SUPPORT IF REQUIRED.  
YOU AGREE TO USE THIS PRODUCT IN COMPLIANCE WITH ALL APPLICABLE LAWS, AND YOU ARE SOLELY RESPONSIBLE FOR ENSURING THAT YOUR USE CONFORMS TO THE APPLICABLE LAW. ESPECIALLY, YOU ARE RESPONSIBLE FOR USING THIS PRODUCT IN A MANNER THAT DOES NOT INFRINGE ON THE RIGHTS OF THIRD PARTIES, INCLUDING WITHOUT LIMITATION, RIGHTS OF PUBLICITY, INTELLECTUAL PROPERTY RIGHTS, OR DATA PROTECTION AND OTHER PRIVACY RIGHTS. YOU SHALL NOT USE THIS PRODUCT FOR ANY PROHIBITED END-USES, INCLUDING THE DEVELOPMENT OR PRODUCTION OF WEAPONS OF MASS DESTRUCTION, THE DEVELOPMENT OR PRODUCTION OF CHEMICAL OR BIOLOGICAL WEAPONS, ANY ACTIVITIES IN THE CONTEXT RELATED TO ANY NUCLEAR EXPLOSIVE OR UNSAFE NUCLEAR FUEL-CYCLE, OR IN SUPPORT OF HUMAN RIGHTS ABUSES.  
IN THE EVENT OF ANY CONFLICTS BETWEEN THIS MANUAL AND THE APPLICABLE LAW, THE LATER PREVAILS.

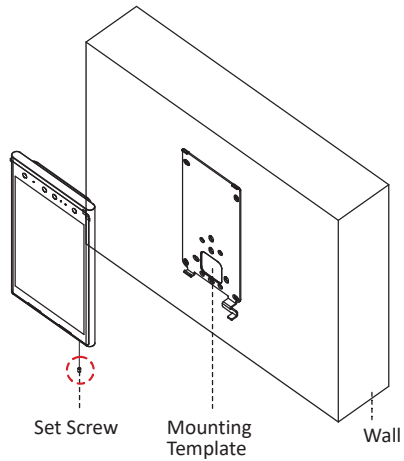
Data Protection  
During the use of device, personal data will be collected, stored and processed. To protect data, the development of Hikvision devices incorporates privacy by design principles. For example, for device with facial recognition features, biometrics data is stored in your device with encryption method; for fingerprint device, only fingerprint template will be saved, which is impossible to reconstruct a fingerprint image.  
As data controller, you are advised to collect, store, process and transfer data in accordance with the applicable data protection laws and regulations, including without limitation, conducting security controls to safeguard personal data, such as, implementing reasonable administrative and physical security controls, conduct periodic reviews and assessments of the effectiveness of your security controls.

Product	Model
Fingerprint Module	DS-KDM9633-FKP
Keypad Module	DS-KDM9633-KP

## Surface Mounting

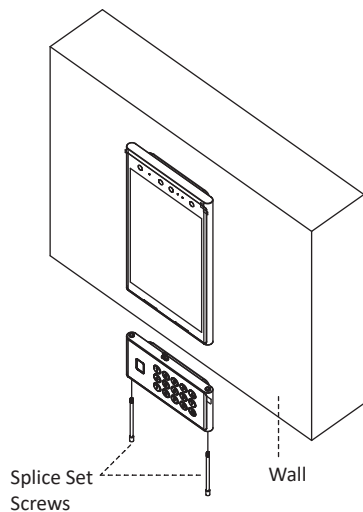


- 1** Paste the mounting template on the wall according to the installation requirements. Drill holes according to the template. Insert the expansion bolts into the screw holes.



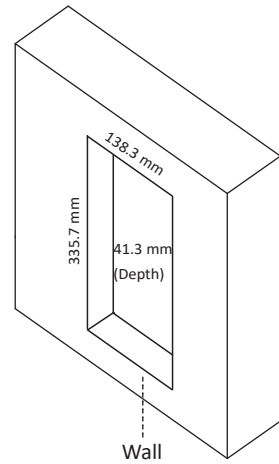
- 2** Fix the mounting plate to the wall with 4 supplied screws.

**i** Wire the device and cover the rear panel with 2 screws. Apply Silicone sealant among the joints.



- 3** Fix the device to the mounting plate and fix the device with the set screws.

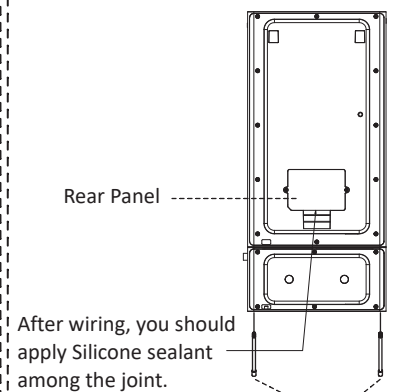
## Flush Mounting



**1**

Carve an installation hole on the wall. Pull the cable out from the wall.

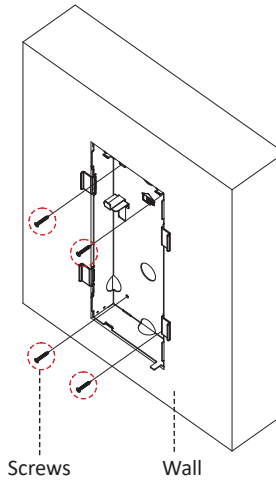
**i** The suggested dimension of the installation hole is 138.3 mm (W) × 335.7 mm (H) × 41.3 mm (D). The suggested length of the cables left outside is 250 mm.



After wiring, you should apply Silicone sealant among the joint.

**4**

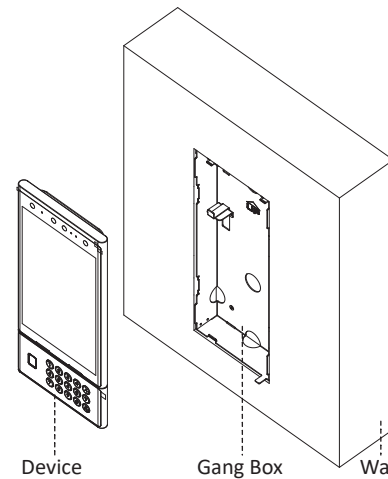
Fix the sub module to the door station with 2 set screws. Wire the device and cover the rear panel with 2 screws.



**2**

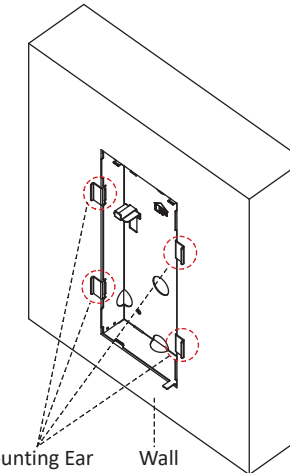
Install the gang box into the wall.

- Insert the gang box into the installation hole. Mark the gang box marker, and take out the gang box.
- Drill 4 screw holes according to the marks on the wall, and insert the expansion sleeves into the screw holes.
- Fix the gang box with 4 screws.



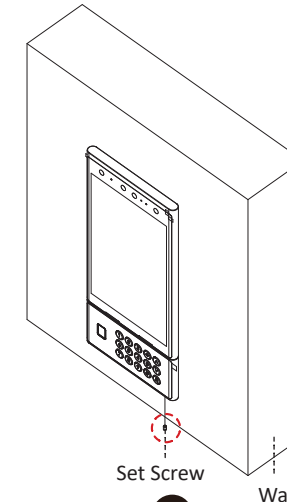
**5**

Insert the door station into the gang box.



**3**

Remove the mounting ears of the gang box.



**6**

Fix door station to the gang box with set screw.

**i** Apply Silicone sealant among the joints between the device and the wall (except the lower side) to keep the raindrop from entering.

## Regulatory Information

**FCC Information**  
Please take attention that changes or modification not expressly approved by the party responsible for compliance could void the user's authority to operate the equipment.  
**FCC compliance:** This equipment has been tested and found to comply with the limits for a Class B digital device, pursuant to part 15 of the FCC Rules. These limits are designed to provide reasonable protection against harmful interference in a residential installation. This equipment generates, uses and can radiate radio frequency energy and, if not installed and used in accordance with the instructions, may cause harmful interference to radio communications. However, there is no guarantee that interference will not occur in a particular installation. If this equipment does cause harmful interference to radio or television reception, which can be determined by turning the equipment off and on, the user is encouraged to try to correct the interference by one or more of the following measures:  
—Reorient or relocate the receiving antenna.  
—Increase the separation between the equipment and receiver.  
—Connect the equipment into an outlet on a circuit different from that to which the receiver is connected.  
—Consult the dealer or an experienced radio/TV technician for help.  
This equipment should be installed and operated with a minimum distance 20cm between the radiator and your body.  
**FCC Conditions**  
This device complies with part 15 of the FCC Rules. Operation is subject to the following two conditions:  
1. This device may not cause harmful interference.  
2. This device must accept any interference received, including interference that may cause undesired operation.



This product and - if applicable - the supplied accessories too are marked with "CE" and comply therefore with the applicable harmonized European standards listed under the RE Directive 2014/53/EU, the EMC Directive 2014/30/EU, the RoHS Directive 2011/65/EU.



2006/66/EC (battery directive): This product contains a battery that cannot be disposed of as unsorted municipal waste in the European Union. See the product documentation for specific battery information. The battery is marked with this symbol, which may include lettering to indicate cadmium (Cd), lead (Pb), or mercury (Hg). For proper recycling, return the battery to your supplier or to a designated collection point. For more information see: [www.recyclethis.info](http://www.recyclethis.info)



2012/19/EU (WEEE directive): Products marked with this symbol cannot be disposed of as unsorted municipal waste in the European Union. For proper recycling, return this product to your local supplier upon the purchase of equivalent new equipment, or dispose of it at designated collection points. For more information see: [www.recyclethis.info](http://www.recyclethis.info)



- Warning**
- In the use of the product, you must be in strict compliance with the electrical safety regulations of the nation and region.
  - CAUTION:** To reduce the risk of fire, replace only with the same type and rating of fuse.
  - CAUTION:** This equipment is for use only with Hikvision's bracket. Use with other (carts, stands, or carriers) may result in instability causing injury.
  - To prevent possible hearing damage, do not listen at high volume levels for long periods.
  - Please use the power adapter, which is provided by normal company. The power consumption cannot be less than the required value.
  - Do not connect several devices to one power adapter as adapter overload may cause over heat or fire hazard.
  - Please make sure that the power has been disconnected before you wire, install or dismantle the device.
  - When the product is installed on wall or ceiling, the device shall be firmly fixed.
  - If smoke, odors or noise rise from the device, turn off the power at once and unplug the power cable, and then please contact the service center.
  - If the product does not work properly, please contact your dealer or the nearest service center. Never attempt to disassemble the device yourself. (We shall not assume any responsibility for problems caused by unauthorized repair or maintenance.)



- Caution**
- + identifies the positive terminal(s) of equipment which is used with, or generates direct current. - identifies the negative terminal(s) of equipment which is used with, or generates direct current.
  - No naked flame sources, such as lighted candles, should be placed on the equipment.
  - The USB port of the equipment is used for connecting to a USB flash drive only.
  - The serial port of the equipment is used for debugging only.
  - Burned fingers when handling the fingerprint sensor metal. Wait one-half hour after switching off before handling the parts.
  - Install the equipment according to the instructions in this manual.
  - To prevent injury, this equipment must be securely attached to the floor/wall in accordance with the installation instructions.
  - Do not drop the device or subject it to physical shock, and do not expose it to high electromagnetic radiation. Avoid the equipment installation on vibrations surface or places subject to shock (ignorance can cause equipment damage).
  - Do not place the device in extremely hot (refer to the specification of the device for the detailed operating temperature), cold, dusty or damp locations, and do not expose it to high electromagnetic radiation.
  - The device cover for indoor use shall be kept from rain and moisture.
  - Exposing the equipment to direct sun light, low ventilation or heat source such as heater or radiator is forbidden (ignorance can cause fire danger).
  - Do not aim the device at the sun or extra bright places. A blooming or smear may occur otherwise (which is not a malfunction however), and affecting the endurance of sensor at the same time.
  - Please use the provided glove when open up the device cover, avoid direct contact with the device cover, because the acidic sweat of the fingers may erode the surface coating of the device cover.
  - Please use a soft and dry cloth when clean inside and outside surfaces of the device cover, do not use alkaline detergents.
  - Please keep all wrappers after unpack them for future use. In case of any failure occurred, you need to return the device to the factory with the original wrapper.
  - Transportation without the original wrapper may result in damage on the device and lead to additional costs.
  - Improper use or replacement of the battery may result in hazard of explosion. Replace with the same or equivalent type only. Dispose of used batteries according to the instructions provided by the battery manufacturer.
  - Biometric recognition products are not 100% applicable to anti-spoofing environments. If you require a higher security level, use multiple authentication modes.
  - Please make sure that the biometric recognition accuracy will be affected by the collected pictures' quality and the light in the environment, which cannot be 100% correct.