



HM-TP23-10VF/W-M30

Handheld Thermography Camera

HIKMICRO M30 handheld camera is specially designed for temperature measurement. It's equipped with a 384 × 288 resolution thermal detector. It helps the staff to quickly find the high-temperature targets in the environment. Meanwhile, it provides assistance with decisions and ensures safety. The device is mainly applied to various industries, such as Building, HVAC, auto industry, etc.

Key Features

- High sensitivity thermal module with 384 × 288 resolution
- Leading thermal image processing technology: Adaptive AGC, DDE, 3D DNR
- Supports multiple palettes
- High quality optical module with 8 MP resolution
- Bi-spectrum image fusion, picture-in-picture preview
- Wide temperature measurement range: -20 to 550° C
- High temperature measurement accuracy: Up to ± 2°C, ± 2%
- High-calibre 640 × 480 resolution 3.5" LCD touch display
- Long-distance laser light supplement for thermography targets
- LED light supplement makes the device a torch in required scenarios
- Supports 1x, 2x, 4x and 8x digital zoom

Specification

THERMAL MODULE	
IR RESOLUTION	384 × 288 (110,592 pixels)
SPECTRAL RANGE	8 μm to 14 μm
NETD	< 35mk (@ 25°C, F# = 1.0)
FOCAL LENGTH	9.7 mm
FOCUS	Manual Focus
FOV (FIELD OF VIEW)	37.5° × 28.5°
IFOV (SPATIAL RESOLUTION)	1.75 mrad, D:S 190:1
IMAGE FREQUENCY	25 Hz
MIN. FOCUSING DISTANCE	0.2 m
DETECTOR TYPE	Vanadium Oxide Uncooled Focal Plane Array
DETECTOR PITCH	17 μm
APERTURE	F1.0
OPTICAL MODULE	
FOV (FIELD OF VIEW)	65° H × 51° V
PICTURE RESOLUTION	Configurable: 2 MP, 5 MP, 8 MP
VIDEO RESOLUTION	640 × 480
FOCUS	Fixed
BUILT-IN VISUAL CAMERA	3264 × 2448 (8 MP)
IMAGE DISPLAY	
LEVEL/ SPAN	Auto/Manual/1-Tap Touch-screen
DISPLAY	640 × 480 Resolution, 3.5" LCD Touch Screen
IMAGE MODES	Thermal/Optical/Fusion/PIP
COLOR PALETTES	7: White Hot, Black Hot, Rainbow, Ironbow, Red Hot, Fusion, Rain
FUSION	Thermal Picture and Optical Picture Combined
DIGITAL ZOOM	1x, 2x, 4x, 8x
PIP	Thermal Picture in Optical Picture
SCREEN BRIGHTNESS	Manual
MINIMUM TEMP SPAN (MANUAL)	2°C (3.6°F)
MEASUREMENT AND ANALYSIS	
OBJECT TEMPERATURE RANGE	-20°C to 550°C (-4°F to 1022°F)

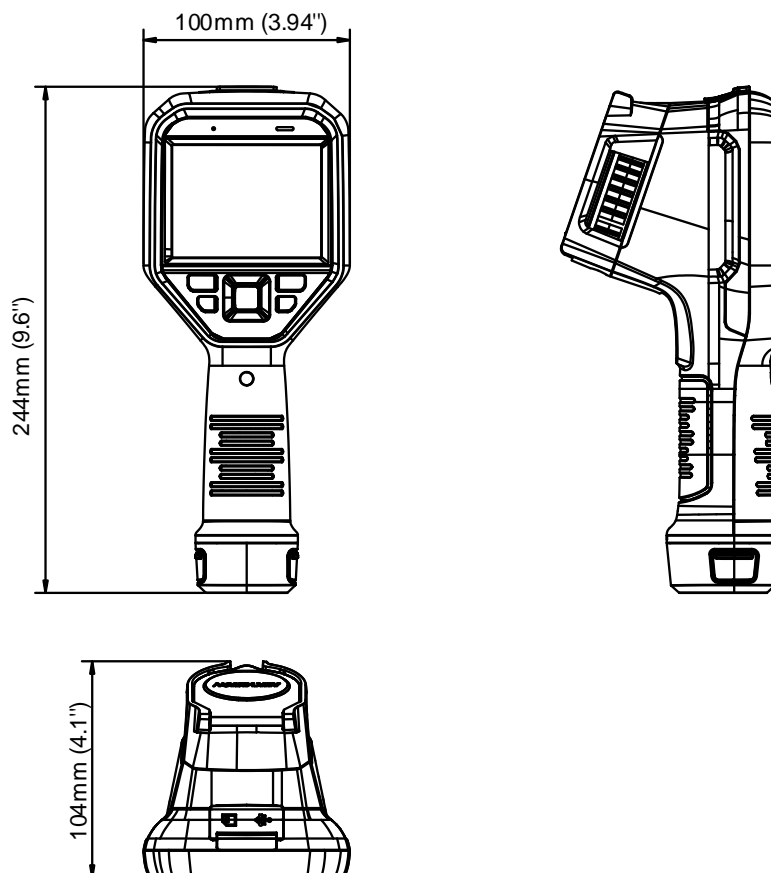
ACCURACY	Max. ($\pm 2^{\circ}\text{C}/3.6^{\circ}\text{F}$, $\pm 2\%$), for ambient temperature from 15°C to 35°C (59°F to 95°F) and object temperature above 0°C (32°F)
MEASUREMENT PRESETS	Center Spot, Hot Spot, Cold Spot, Off
USER-DEFINED MEASUREMENT POINTS	10 points
USER-DEFINED MEASUREMENT LINES	1 line with max./min./avg. temperature
USER-DEFINED MEASUREMENT AREAS	3 areas with max./min./avg. temperature
HIGH TEMPERATURE ALARM	Audible Warning
COLOR ALARM (ISOTHERM)	Above/Below/Interval/Insulation
FOCUS-MODE PALETTES	Above/Below/Interval
ON-CAMERA EMISSIVITY CORRECTION	Variable from 0.01 to 1.0 or selected from the materials list
ON-CAMERA REFLECTED TEMPERATURE COMPENSATION	Automatic, based on the input of the reflected temperature
ON-CAMERA TRANSMISSION CORRECTION	Automatic, based on the inputs for distance and humidity
STORAGE	
STORAGE MEDIA	Default Storage: Removable SD Card (64 GB) ; Max. Storage Capacity: 128 GB
IMAGE STORAGE CAPACITY	60,000 Images
IMAGE FILE FORMAT	Radiometric image with Measurement Data Included JPEG Image without Measurement Data Included
VOICE NOTE	Max. 60 Seconds
TEXT NOTE	Max. 200 Characters
VIDEO STORAGE CAPACITY	54 Hours
VIDEO FILE FORMAT	MP4
POWER SYSTEM	
POWER SUPPLY	12 VDC/1.5 A, 5 VDC/2 A (Charging via USB)
POWER CONSUMPTION	4.2 W
BATTERY TYPE	Dismountable and Rechargeable Li-ion Battery
BATTERY OPERATING TIME	5 Hours Continuous Running
BATTERY CHARGING TIME	4 hours to full charge
BATTERY CHARGING SYSTEM	Two-bay battery charger or in-imager charging, fast charging
AC OPERATION	AC operation with included power supply (100 VAC to 240 VAC, 50/60 Hz)
GENERAL	

WI-FI	802.11 b/g/n (2.4 GHz and 5 GHz)
BLUETOOTH	Bluetooth 4.2
USB INTERFACE	USB Type-C
SD CARD INTERFACE	64 GB SD card
LED LIGHT (TORCH)	Yes
LASER POINTER	Yes
LASER TYPE	Class II, Wavelength: 635 nm; Power: < 1 mW
PROTECTION LEVEL	IP54
DROP TEST HEIGHT	2 m (6.56 ft)
WARRANTY	3 years for full product, 10 years for detector, and 2 years for battery
RECOMMENDED CALIBRATION CYCLE	1 year (assumes normal operation and normal aging)
SAFETY	IEC 61010-1: Overvoltage category II, Pollution Degree 2
ELECTROMAGNETIC COMPATIBILITY	EN55032:2015+A11:2020 EN50130-4:2011+A1:2014 EN61000-3-3:2013
AUSTRALIAN RCM	EN 61010-1:2010 EN55032:2015+A11:2020 EN50130-4:2011+A1:2014 EN61000-3-3:2013
US FCC	CFR 47, Part 15 Subpart B
ROHS COMPLIANT	Yes
VIBRATION	0.03 g ² /Hz (3.8 g), 2.5 g IEC 60068-2-6
SHOCK	25 g, IEC 68-2-29
WORKING TEMPERATURE RANGE	-10°C to 50°C (-4°F to 122°F)
STORAGE TEMPERATURE RANGE	-20°C to 60°C (-4°F to 140°F)
RELATIVE HUMIDITY	< 95% non-condensing
WEIGHT	Approx. 653 g (1.44 lb)
DIMENSION	284.7 mm × 118.3 mm × 127.1 mm (11.21" × 4.66" × 5.00")
TRIPOD MOUNTING	UNC ¼" -20
MENU LANGUAGE	21 Languages English, Russian, Hungarian, German, Italian, Czech, Slovak, French, Polish, Portuguese, Spanish, Romanian, Danish, Turkish, Korean, Traditional Chinese, Japanese
SOFTWARE	
PC SOFTWARE	HIKMICRO Analyzer
APP	HIKMICRO Viewer App

Available Model

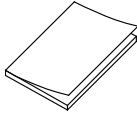
HM-TP23-10VF/W-M30

Dimension



Unit: mm (Inch)

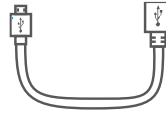
Packing List



QSG (× 1)



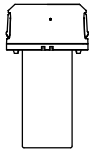
Adapter (× 4)



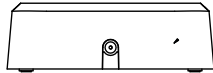
USB Cable (× 1)



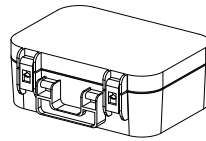
Power Adapter (× 1)



Battery (× 1)



Charging Base (× 1)



Box (× 1)



Wrist Strap (× 1)

COMPLIANCE NOTICE: The thermal series products might be subject to export controls in various countries or regions, including without limitation, the United States, European Union, United Kingdom and/or other member countries of the Wassenaar Arrangement. Please consult your professional legal or compliance expert or local government authorities for any necessary export license requirements if you intend to transfer, export, re-export the thermal series products between different countries.



 HIKMICRO Thermography  hikmicro_thermography  HIKMICRO Thermography  HIKMICRO  info@hikmicrotech.com  <http://hikmicrotech.com/en>

room 313, unit B, building 2, 399 danfeng road, xixing subdistrict, binjiang district, hangzhou, zhejiang
@hangzhou microimage software co., Ltd .2020 | data subject to change without notice!