



Network

TNS-7000M

3MP Mono BCR Camera



Key Features

- Module Design, supports a variety of lens/LED module/front cover accessory combinations
- Resolution: 3MP, Global shutter CMOS sensor
- Max. Framerate: 50fps
- Barcode recognition, WiseBCR based on AI engine
 - 1D Code is available
(Code128 / CODE39 / CODE93 / Codabar / ITF(Interleaved 2 of 5) / UPC / EAN)
 - 2D Code is available
(QRcode / DataMatrix / Maxicode / PDF417)
- Ethernet: RJ-45(10/100/1000BASE-T), M12
- IP66/IP67, IK10(excluding the front window), IEC 60068-2-6(vibration), IEC 60068-2-27(shock)
- Optional accessories
 - Lens:
SLM-5M06(6mm), SLM-5M08(8mm), SLM-5M12(12mm), SLM-5M16(16mm), SLM-5M25(25mm)
 - Front Cover:
SPF-BCB0(Clear), SPF-BPB0(Polarization), SPF-BDB0(Diffusion)
 - LED module:
White: SPI-BWN0(16/25mm), SPI-BWM0(12mm), SPI-BWM1(8mm), SPI-BWW0(6mm)
Red: SPI-BRN0(16/25mm), SPI-BRM0(12mm), SPI-BRM1(8mm), SPI-BRW0(6mm)
Blue: SPI-BBN0(16/25mm), SPI-BBM0(12mm), SPI-BBM1(8mm), SPI-BNBW0(6mm)
 - Bracket: SBO-BPM0
 - Ethernet cable: SPP-C08020E, SPP-C08050E, SPP-C08100E
 - Power cable: SPP-C12020P, SPP-C12050P, SPP-C12100P

※ Lenses, LED modules, front cover, Ethernet/Power cables and brackets are sold separately as accessories

Compatible Devices



SBO-BPM0



SLM-5M06



SLM-5M08



SLM-5M12



SLM-5M16



SLM-5M25



SPF-BCB0

T series

TNS-7000M



SPF-BDB0



SPF-BPBO



SPI-BWNO



SPI-BWMO



SPI-BWM1



SPI-BWWO



SPI-BBNO



SPI-BBM0



SPI-BBM1



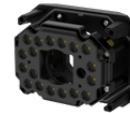
SPI-BBW0



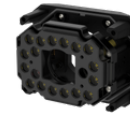
SPI-BRMO



SPI-BRM1



SPI-BRNO



SPI-BRW0



SPP-C08020E



SPP-C08050E



SPP-C08100E



SPP-C12020P



SPP-C12050P



SPP-C12100P

TNS-7000M

3MP Mono BCR Camera



Specifications

Video

Imaging Device	Size	1/3"
	Type	CMOS
Resolution		2048x1536
Max. Framerate	H.265/H.264	50fps
Pixel Size		2.25 μ m

Lens

Optional Lens	6mm/8mm/12mm/16mm/25mm
---------------	------------------------

Operational

Backlight Compensation		HDR
Electronic Shutter	Mode	Minimum, Maximum, Global shutter mode
	Speed Range	33.3ms~150 μ s
Video Rotation		Flip, Mirror
Alarm Interface	In/Out	Input 2ea, Output 2ea
Alarm Triggers		Alarm input
Alarm Events When Alarm Trigger Occurred		Trigger On/Off, Read/NoRead
LED Out		Support via optional LED accessories(M12 pin connections), White/Red/Blue option

Analytics

Advanced Analytics		Barcode recognition, WiseBCR based on AI engine
Barcode Type	1D Code	Code128, CODE39, CODE93, Codabar, ITF(Interleaved 2 of 5), UPC, EAN
	2D Code	QRcode, DataMatrix, Maxicode, PDF417

Network

Ethernet	RJ-45(10/100/1000BASE-T), M12
Video Compression	H.265/H.264: Main/High, MJPEG
Bitrate Control	H.265/H.264: CBR or VBR, MJPEG: VBR

Network

Streaming	Unicast	Up to 6 users
	Multicast	Support
	Multiple Streaming	Up to 3 profiles
Protocol		IPv4, IPv6, TCP/IP, UDP/IP, RTP(UDP), RTP(TCP), RTCP, RTSP, NTP, HTTP, HTTPS, SSL/TLS, DHCP, FTP, SMTP, ICMP, IGMP, SNMPv1/v2c/v3(MIB-2), ARP, DNS, DDNS, QoS, UPnP, Bonjour, SRTP(TCP, UDP Unicast), MQTT
Application Programming Interface	ONVIF	M
	Others	SUNAPI(HTTP API), Hanwha Vision Open Platform

General

Edge Storage	Micro SD/SDHC/SDXC	Max. 256GB x 1slot
--------------	--------------------	--------------------

Environmental & Electrical

Operating Condition	Temperature	-40°C~+55°C(-40°F~+131°F)
	Humidity	0~95% RH(non-condensing)
	Others	Start up should be done at above -30°C
Storage Condition	Temperature	-40°C~+60°C(-40°F~+140°F)
	Humidity	0~95% RH(non-condensing)
Input Voltage		24VDC
Power Consumption	24VDC	Max 12.9W, Typical 6.7W * Max: LED On Typical: LED Off

Mechanical

Color	White, Black
Material	Aluminum
RAL Code	RAL9003
Product Dimensions	W74.4mm x H77.4mm x D59.4mm
Product Weight	420g
Indicator LED	Support
Status LED	Support

Certifications & Standards

EMC	FCC 47 CFR 15 Subpart B Class A, ICES-3(A)/NMB-3(A), CE/UKCA - EN55032 Class A, EN 50130-4, EN 61000-3-2, EN 61000-3-3, KS C 9832 Class A, KS C 9835
Safety	UL 62368-1, CAN/CSA C22.2 NO. 62368-1
Environment	IEC 60529 IP66, IEC 60529 IP67, IEC 62262 IK10, IEC 60068-2-6, IEC 60068-2-27

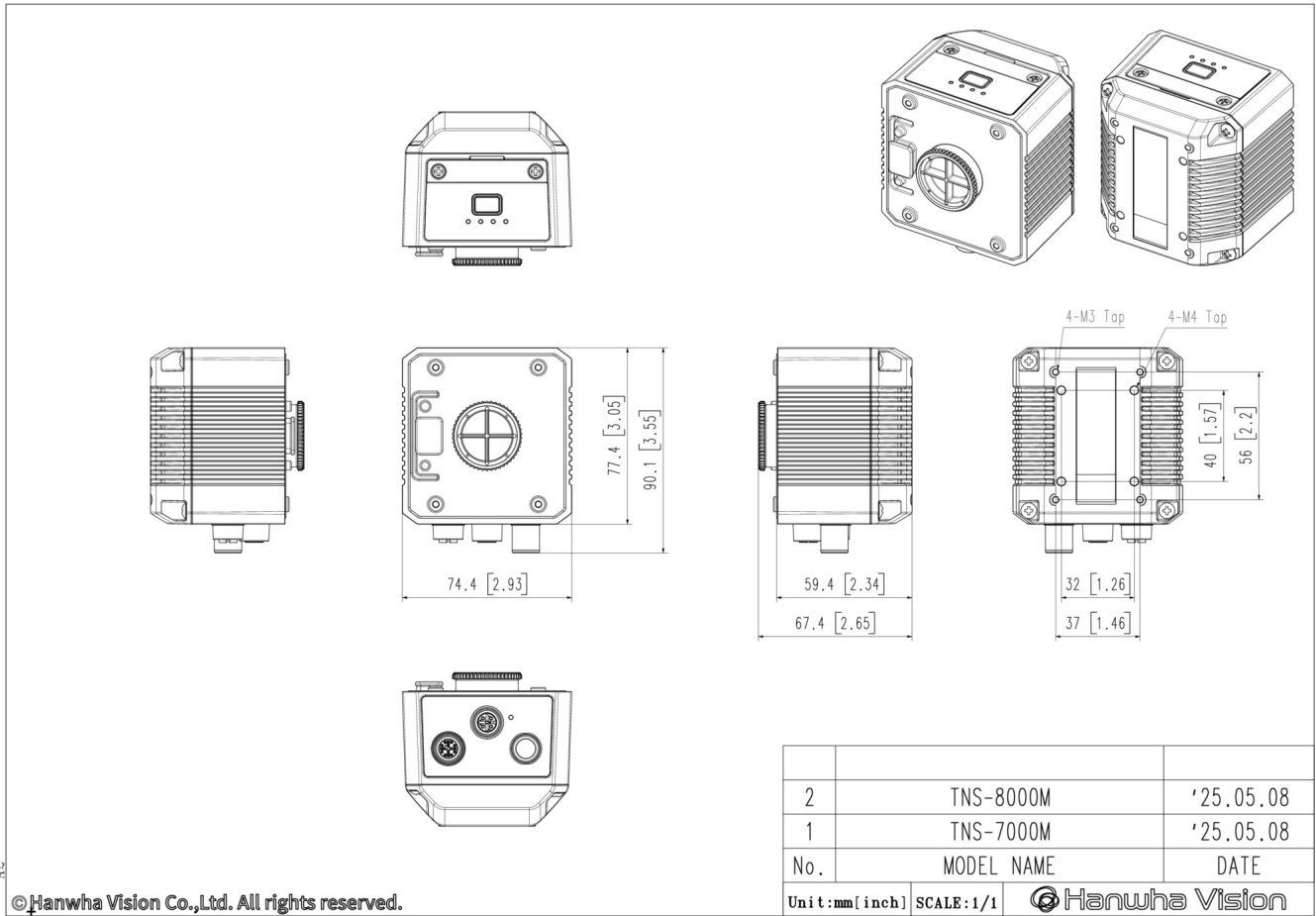
TNS-7000M

3MP Mono BCR Camera



CAD

Unit: mm [inch]



A2

© Hanwha Vision Co., Ltd. All rights reserved.