

INSTALLER'S GUIDE



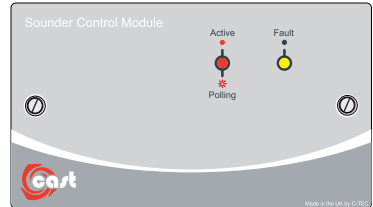
Read these instructions before installation and operation



THIS EQUIPMENT MUST BE INSTALLED AND MAINTAINED BY A SUITABLY SKILLED AND TECHNICALLY COMPETENT PERSON. ENSURE ALL POWER IS REMOVED BEFORE INSTALLATION.

Product Description

The CA738 is CAST protocol addressable sounder controller with one conventional sounder circuit, designed to control a small group of sounders / VADs. It is compatible with CAST ZFP/XFP panels and other 'CAST' compatible fire panels. It mounts on a standard 35mm deep UK double-gang back box being short circuit proof and monitored per BS 5839-1.



Features

- Compatible with C-TEC's CAST ZFP / XFP panels.
- Compatible with C-TEC's ActiV range of conventional sounders and VADs.
- Loop powered and allocated a single loop address by the fire panel.
- Sounder activation and deactivation controlled by the fire panel.
- Sounder circuit wiring monitored for open or short circuit faults.
- On-board, bi-directional, short-circuit isolator.
- Standard 35mm deep UK double-gang back box mounting.

Technical Specification

| | | | |
|---------------------------------|---|------------------------------|------------------------------|
| Description: | CA738 CAST 1-Channel Sounder Controller | | |
| Sounder Circuit Load: | 45mA max. @ 20V | | |
| Operating Voltage: | 22 to 40Vdc | | |
| Quiescent Current: | 530µA | | |
| Alarm Current: | 3mA | | |
| Monitoring: | 27K EOL. S/C and O/C monitored. | | |
| Communication Protocols: | C-TEC's CAST / CAST-PRO | | |
| LED Indicators: | Active (Steady Red LED) - Sounder circuit activated. | | |
| | Polling (Flashing Red) LED - Communication check with the CIE. | | |
| | Fault (Steady Yellow) LED - Wiring fault (open or short circuit) detected on the monitored sounder circuit. | | |
| Dimensions (mm): | 147 (W) x 87 (H) x 25 (D) | Body Material: | PVC |
| Weight: | 115g | IP Rating (EN 60529): | IP40 (indoor use only) |
| Operating Temp.: | -10°C to +55°C | Humidity: | Max. 95% RH (non-condensing) |

Wiring and Connections

All wiring must be installed in accordance with all applicable national, regional or local standards. In the UK this is BS 7671 (IET Wiring Regulations).

CONN1 (SNDR + -) Connector - See Fig.1

Connection to ActiV sounders and ActiV sounder VADs.

Fit the supplied 27K EOL across the terminals of the last device on the circuit.

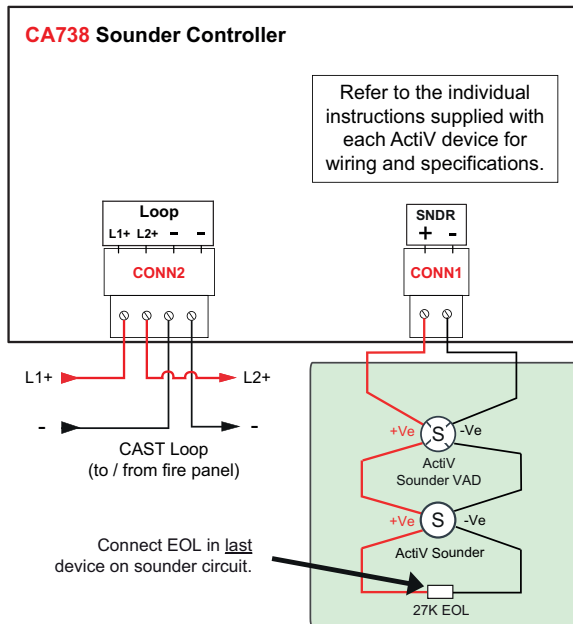
All terminals can accept cables up to 1.5mmØ.

CONN2 Loop Connector - See Fig.1

CAST loop connection to / from CIE.

| Terminal | Function |
|----------|----------|
| L1+ | +Ve |
| L2+ | +Ve |
| - | -Ve |
| - | -Ve |

Fig.1: CA738 Wiring & Connections



Installation and Testing

This product must be installed and tested in accordance with applicable local and/or national regulations.

The I/O module is designed for indoor use only and may be flush or surface mounted in a place where the status of the LED indicators are clearly visible.

Two mounting holes are provided on the I/O module for fixing to a standard UK double-gang back box with minimum 35 mm depth. DO NOT OVERTIGHTEN THE FIXING SCREWS.



Manufacturer: Compuionics Limited (C-TEC), Challenge Way, Martland Park, Wigan, Lancashire WN5 0LD. www.c-tec.com

E&OE. No responsibility can be accepted by the manufacturer or distributors of these devices for any misinterpretation of this instruction, or for the compliance of the system as a whole. The manufacturers policy is one of continuous improvement and we reserve the right to make changes to product specifications at our discretion and without prior notice.