



Network

Bullet

# XNO-C6083R

2MP AI IR Bullet Camera

FC | UL | CE | EAC

## Key Features

- 2MP resolution
- 2.8-12mm (4.3x) motorized varifocal
- Color: 0.011Lux (F1.4, 1/30sec, 30IRE), 0Lux (IR LED on)
- Maximum 60fps@2MP (H.265/H.264)
- WiseIR: IR viewable length 40m (131.23ft)
- Day & Night (ICR), extremeWDR (150dB)
- H.265, H.264, MJPEG, WiseStream II, WiseStream III (Using AI engine)
- DIS with built-in Gyro sensor
- Analytics events based on AI engine (NPU) : Object detection (Person/Face/Vehicle - car, truck, bus, bicycle, motorcycle/License plate),  
IVA (Virtual line/Area, Enter/Exit, Loitering, Direction, Intrusion)
- Analytics events : Defocus detection, Motion detection, Tampering, Fog detection  
Audio detection, Sound classification, Shock detection, Appear/Disappear
- IP66, IP67, NEMA4X, IK10

# XNO-C6083R

## 2MP AI IR Bullet Camera



### Specifications

#### Video

|                          |  |
|--------------------------|--|
| <b>Imaging Device</b>    | 1/2.8" progressive CMOS  |
| <b>Resolution</b>        | 1920x1080, 1280x1024, 1280x960, 1280x720, 1024x768, 800x600, 800x448, 720x576, 720x480, 640x480, 640x360, 320x240  |
| <b>Max. Framerate</b>    | H.265/H.264: Max. 60fps/50fps(60Hz/50Hz)<br>MJPEG: Max. 30fps/25fps(60Hz/50Hz)   |
| <b>Min. Illumination</b> | Color: 0.01Lux(F1.4, 1/30sec, 30IRE)<br>B/W : 0.001Lux(F1.4, 1/30sec, 30IRE), 0Lux(IR LED on), 30/25fps<br><br>Color: 0.02Lux(F1.4, 1/60sec, 30IRE)<br>B/W : 0.002Lux(F1.4, 1/60sec, 30IRE), 0Lux(IR LED on), 60/50fps |
| <b>Video Out</b>         | USB: Micro USB Type B, 1280x720 for installation   |

#### Lens

|                                  |   |
|----------------------------------|---|
| <b>Focal Length (Zoom Ratio)</b> | 2.8~12mm(4.3x) motorized varifocal  |
| <b>Max. Aperture Ratio</b>       | F1.4(Wide) ~ F3.6(Tele)   |
| <b>Angular Field of View</b>     | H : 119.5°(Wide) ~ 27.9°(Tele)<br>V : 62.8°(Wide) ~ 15.7°(Tele)<br>D : 142.1°(Wide) ~ 32.0°(Tele) |
| <b>Min. Object Distance</b>      | 0.5m(1.64ft)  |
| <b>Focus Control</b>             | Simple focus, Manual  |
| <b>Lens Type</b>                 | DC auto iris with hall sensor (IR corrected)  |

#### Operational

|                                    |  |
|------------------------------------|--|
| <b>Camera Title</b>                | Displayed up to 85 characters  |
| <b>Day &amp; Night</b>             | Auto(ICR)  |
| <b>Backlight Compensation</b>      | BLC, HLC, WDR, SDDR  |
| <b>Wide Dynamic Range</b>          | extremeWDR (150dB)   |
| <b>Digital Noise Reduction</b>     | WiseNR II (Based on AI engine), SSNR V   |
| <b>Digital Image Stabilization</b> | Support(built-in gyro sensor)  |
| <b>Defog</b>                       | Support  |
| <b>Motion Detection</b>            | 8ea, 8point Polygonal zones  |
| <b>Privacy Masking</b>             | 32ea, Quadrangle zones<br>- Color : Gray, Green, Red, Blue, Black, White<br>- Mosaic   |
| <b>Gain Control</b>                | Support  |
| <b>White Balance</b>               | ATW / Narrow ATW / AWC / Manual / Indoor / Outdoor   |
| <b>LDC</b>                         | Support (Fill/stretch mode)  |
| <b>Electronic Shutter Speed</b>    | Minimum / Maximum / Anti flicker (2~1/12,000sec)<br>prefer shutter control(Based on AI engine)   |
| <b>Video Rotation</b>              | Flip, Mirror, Hallway view(90°/270°)   |
| <b>Analytics</b>                   | - Analytics events based on AI engine : Object detection (Person/Face/Vehicle(car/bus/truck/motorcycle/bicycle)/Licence plate), IVA (Virtual line/Area, Enter/Exit, Loitering, direction, Appear/Disappear, intrusion)<br>- Analytics events : Defocus detection, Motion detection, Tampering, Fog detection, Audio detection, Sound classification, Shock detection |
| <b>Business Intelligence</b>       | Based on AI engine : People counting, Queue management, Heatmap  |
| <b>Alarm I/O</b>                   | 2 configurable I/O ports   |
| <b>Alarm Triggers</b>              | Analytics, Network disconnect, Alarm input, App event, Time schedule   |

|                           |   |
|---------------------------|---|
| <b>Alarm Events</b>       | When alarm trigger occurred<br>- File upload(image) : e-mail/FTP<br>- Notification : e-mail<br>- Recording : SD/SDHC/SDXC or NAS recording at event triggers<br>- Alarm output<br>- Handover(PTZ preset, Send message by HTTP/HTTPS/TCP)<br>- Audio clip playback |
| <b>Audio In</b>           | Selectable(mic in/line in)<br>Supply voltage: 2.5VDC(4mA), Input impedance: 2K Ohm  |
| <b>Audio Out</b>          | Line out, Max.output level: 1Vrms   |
| <b>IR Viewable Length</b> | WiselR 40m(131.23ft)  |

## Network

|  |  |
|--|--|
| <b>Ethernet</b>                          | Metal shielded RJ-45(10/100BASE-T)   |
| <b>Video Compression</b>                 | H.265/H.264: Main/High, MJPEG  |
| <b>Audio Compression</b>                 | G.711 u-law /G.726 Selectable<br>G.726(ADPCM) 8KHz, G.711 8KHz<br>G.726: 16Kbps, 24Kbps, 32Kbps, 40Kbps<br>AAC-LC: 48Kbps at 16KHz   |
| <b>Smart Codec</b>                       | Manual(5ea area), WiseStream II, WiseStreamIII(Based on AI engine)   |
| <b>Bitrate Control</b>                   | H.264/H.265: CBR or VBR<br>MJPEG: VBR  |
| <b>Streaming</b>                         | Unicast(20 users) / Multicast<br>Multiple streaming(Up to 10 profiles, 3 virtual channel support)  |
| <b>Protocol</b>                          | IPv4, IPv6, TCP/IP, UDP/IP, RTP(UDP), RTP(TCP), RTCP,RTSP, NTP, HTTP, HTTPS, SSL/TLS, DHCP, FTP, SMTP, ICMP, IGMP, SNMPv1/v2c/v3(MIB-2), ARP, DNS, DDNS, QoS, UPnP, Bonjour, LLDP, SRTP (TCP, UDP Unicast)   |
| <b>Security</b>                          | HTTPS(SSL) Login Authentication<br>Digest Login Authentication<br>IP Address Filtering<br>User access log<br>802.1X Authentication(EAP-TLS, EAP-LEAP, EAP-PEAP MSCHAPv2)<br>Device Certificate(Hanwha Techwin Root CA, pre-installed)<br>Secure by default certificate<br>HTPM (Hanwha Trusted platform module)<br>Secure OS/Boot/Storage, Verify firmware forgery<br>CyberSecurity assurance program UL CAP (UL 2900-1) |
| <b>Application Programming Interface</b> | ONVIF Profile S/G/T<br>SUNAPI(HTTP API)<br>Wisenet open platform   |

## General

|                         |  |
|-------------------------|--|
| <b>Webpage Language</b> | English, Korean, Chinese, French, Italian, Spanish, German, Japanese, Russian, Swedish,, Portuguese, Czech, Polish, Turkish, Dutch, Greek, Hungarian |
| <b>Edge Storage</b>     | Micro SD/SDHC/SDXC 1slot 512GB   |
| <b>Memory</b>           | 2GB RAM, 512MB Flash   |

## Environmental & Electrical

|   |   |
|---|---|
| <b>Operating Temperature / Humidity</b> | -40°C~+55°C(-40°F ~ +131°F)<br>* Maximum temperature : +60°C (intermittent)<br>* Start up should be done at above -20°C<br>NEMA TS-2 : 74°C<br>0~95%RH(non-condensing)<br>Humidity control /w GORE vent |
| <b>Storage Temperature / Humidity</b>   | -50°C ~ +60°C(-58°F ~ +140°F) / Less than 90% RH  |
| <b>Certification</b>                    | IP66/IP67/NEMA4X, IK10  |
| <b>Input Voltage</b>                    | PoE(IEEE802.3af, Class3), 12VDC   |
| <b>Power Consumption</b>                | PoE: Max 12.95W, typical 10.8W<br>12VDC: Max 12.5W, typical 10.0W   |

## Mechanical

|  |   |
|--|---|
| <b>Color / Material</b>                  | White / Aluminum + PC<br>Hard-coated window                         |
| <b>RAL Code</b>                          | RAL9003   |
| <b>Product Dimensions / Weight</b>       | Ø93.4x276.6mm(Ø3.68x10.89"), 1640g(3.62 lb)                         |
| <b>Compatible Conduit hole / Gangbox</b> | SBO-147BA(Sold seperately)<br>single, double, 4" octagon, 4" square |

---

**DORI (EN62676-4 standard)**

|                                  |   |
|----------------------------------|---|
| <b>Detect (25PPM/ 8PPF)</b>      | Wide: 22.4m(73.47ft) / Tele: 154.6m(507.18ft) |
| <b>Observe (63PPM/ 19PPF)</b>    | Wide: 9.0m(29.39ft) / Tele: 61.8m(202.87ft)   |
| <b>Recognize (125PPM/ 38PPF)</b> | Wide: 4.5m(14.69ft) / Tele: 30.9m(101.44ft)   |
| <b>Identify (250PPM/ 76PPF)</b>  | Wide: 2.2m(7.35ft) / Tele: 15.5m(50.72ft)     |

---

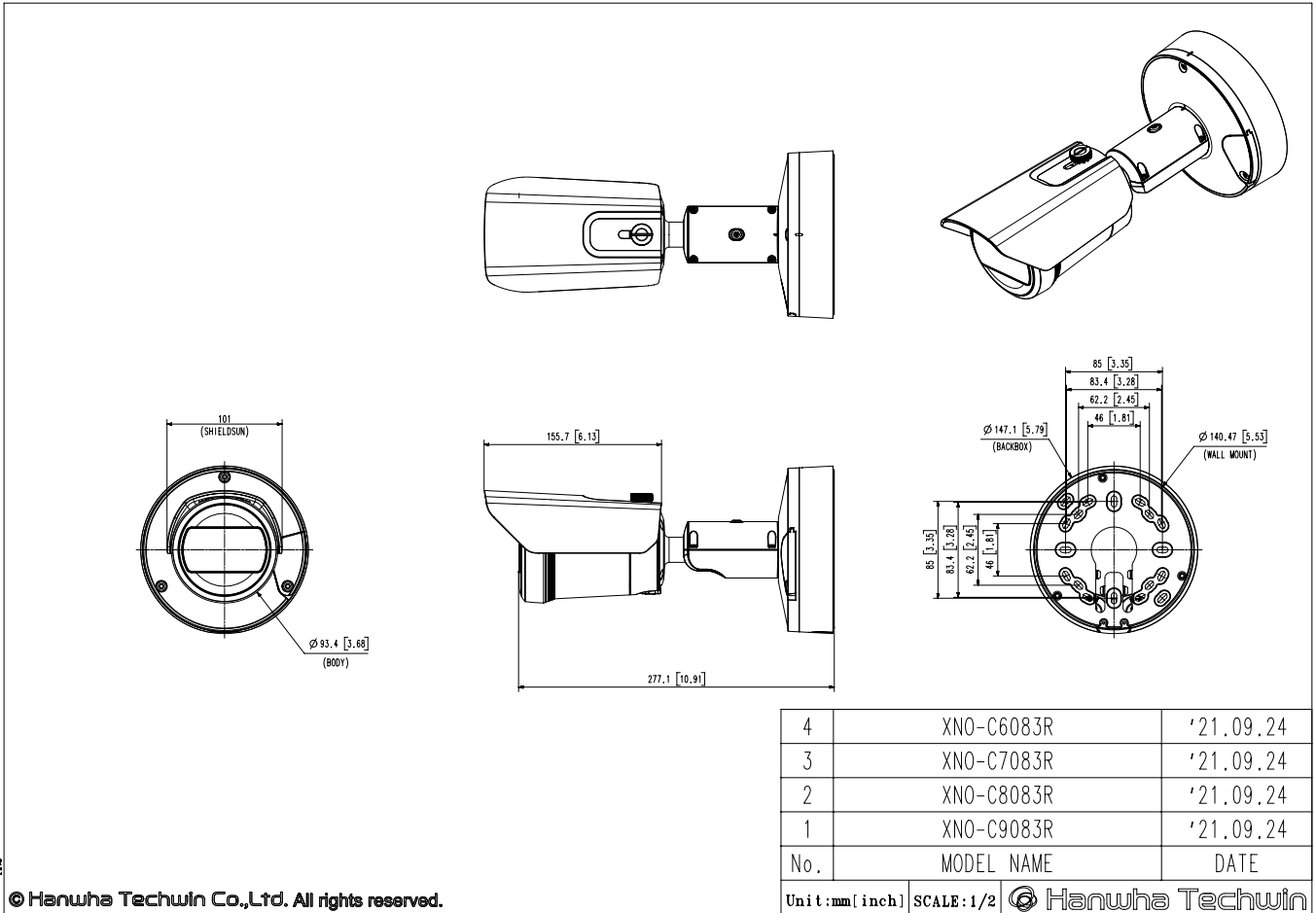
# XNO-C6083R

2MP AI IR Bullet Camera



CAD

Unit: mm [inch]



A2

© Hanwha Techwin Co., Ltd. All rights reserved.